

Yealink

WF40

Wi-Fi USB Dongle

Supports Yealink SIP-T48G

(upgrade to the version of 35.80.0.95 or higher)

Reliable Connection

Ease-of-use

Plug and Play

High Transmission Rate

Lower Power Consumption



The WF40 Wi-Fi USB dongle is a low-power device that can be used to seamlessly connect the Yealink T48G IP phone to your organisation's wireless network. This dynamic plug-and-play USB device is an ideal office solution for companies seeking affordable and convenient connectivity.

Supported by a powerful transmission rate of 150 Mbps, the dongle is able to quickly and reliably establish Wi-Fi connectivity so that users can communicate, collaborate and access pertinent documents and resources. The WF40 is compliant with IEEE802.11n and IEEE802.11b/g standards, maximising reliability and throughput.

Yealink

WF40

Key features and benefits

Supports Yealink SIP-T48G
(upgrade to the version of 35.80.0.95 or higher)
Reliable Connection
Ease-of-use
Plug and Play
High Transmission Rate
Lower Power Consumption

Package features

Qty/CTN: 40 PCS
N.W/CTN: 1.70 kg
G.W/CTN: 2.20 kg
Carton Meas: 305mm*260mm*272mm
Giftbox Size: 119mm*113mm*26mm

Certifications



WEEE Compliant



ROHS Compliant

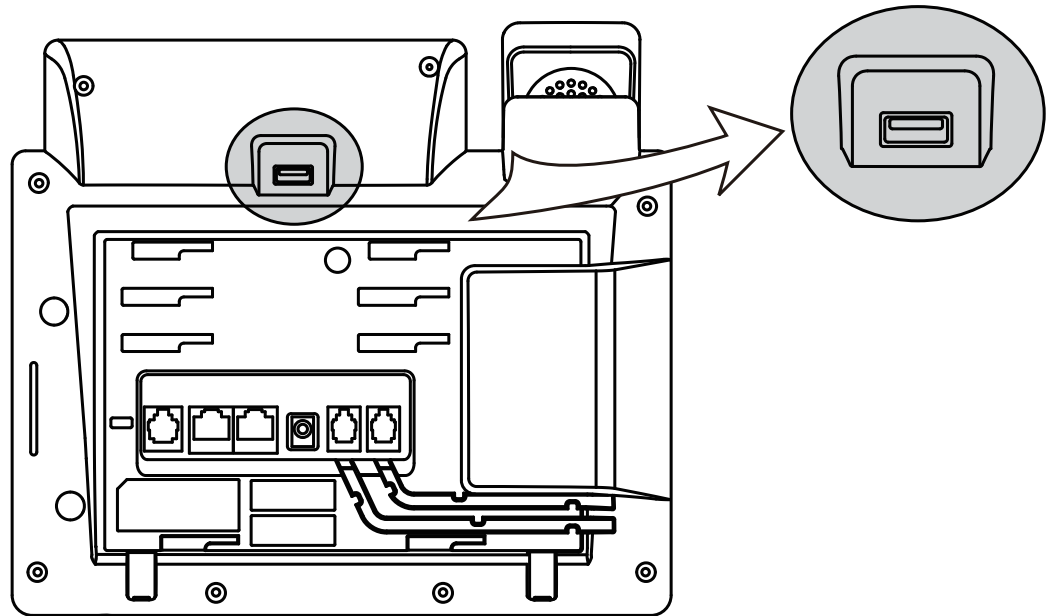


Hearing Aid Compatible



Specifications

Network Standard: IEEE802.11b/g/n
Transmission Rate: 150 Mbps
Frequency Range: 2.4GHz
Security: 64/128/152-bit WEP
Encryption, WPA-PSK: WPA2-PSK
Interface: USB2.0
L*W*H: 26.9mm*18mm*8mm
Working Temperature: 0°C ~ +50°C (32°F
~ 122°F)
Storage Temperature: -40°C ~+85°C
(-40°F ~ 185°F)



Yealink

Supplied by VoIP Direct, United Kingdom
Tel: +44 (0) 345 0 955 950 Email: sales@voipdirect.co.uk Web: www.voipdirect.co.uk